



**SUNSFORCE**  
Inspire your life

QINGDAO JUYUAN FITNESS TECHNOLOGY CO., LTD.  
LIUTING BUILDING MATERIALS INDUSTRY PARK, CHENG YANG DISTRICT, QINGDAO, P.R.CHINA

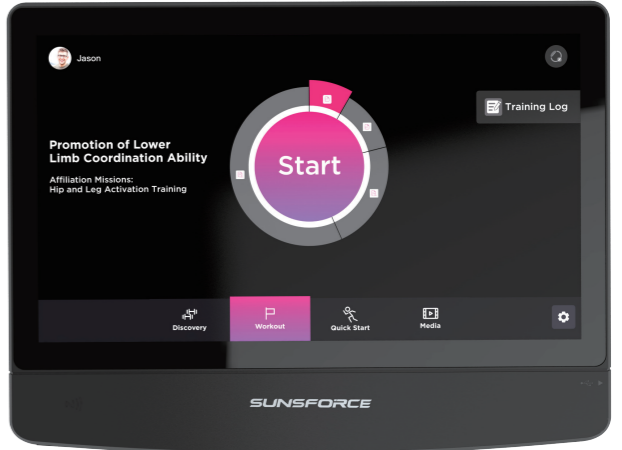
T: 0532-84902088  
[www.juyuanfitness.com](http://www.juyuanfitness.com)  
[www.sunforce.com](http://www.sunforce.com)



# NEW CARDIO SERIES

# CONSOLE FLEXIBILITY

When passion meets wellness, what kind of fitness experience will shape your future? Introducing the next generation cardio series, unlike traditional designs, our product comes with a unique feature - a variety of optional control consoles, allowing your exercise to be entirely in your hands.



# STAIR TRAINER



# COMMERCIAL STAIRTRAINER

Meticulously designed for a perfect blend of aesthetics and performance, this latest StairTrainer promises an unparalleled fitness experience. Innovative Design:

The cutting-edge exterior seamlessly merges modern aesthetics with technological elements, adding a touch of style to your fitness space. Enhanced Fitness Endurance:

Featuring a professional-grade simulation system that replicates stair climbing, it comprehensively strengthens cardiovascular function, pushing the limits of your body.

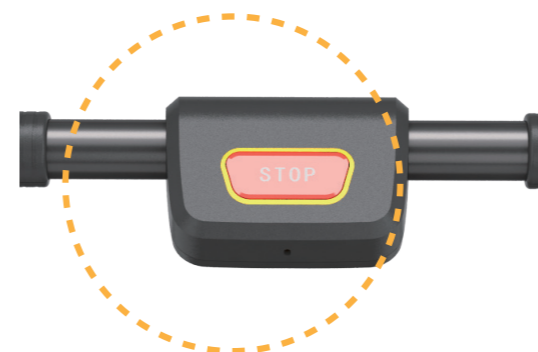
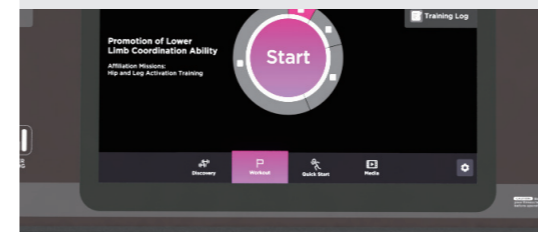
## FEATURES

- Dual safety switch (pull-wire type + infrared sensor type)
- Initial step height: 320mm
- Minimum pedal position memory function
- Pedal warning strip
- POM material rollers are more silent
- CE Certified

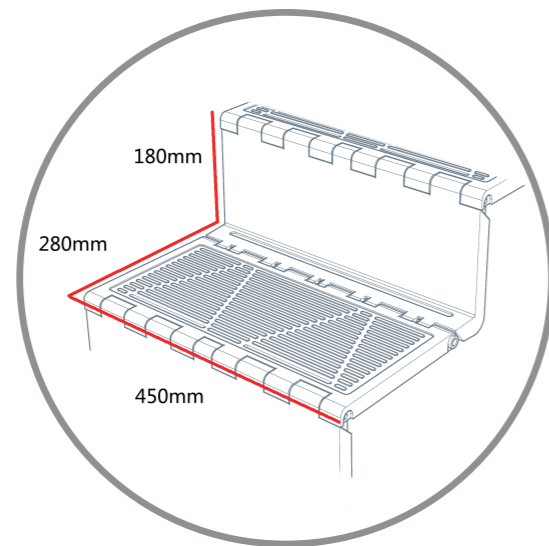
### Optional Consoles



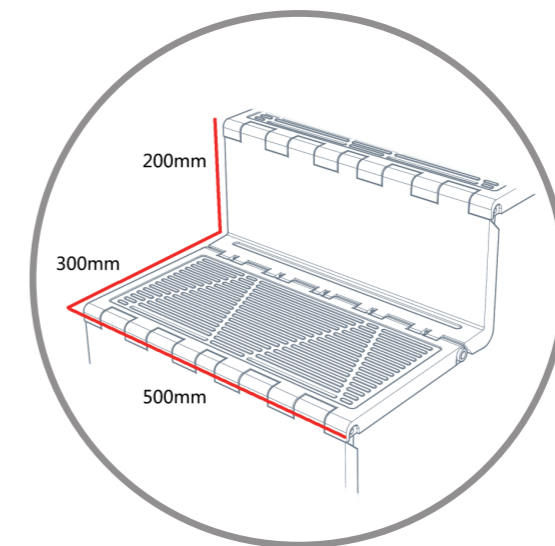
Cardio/StairTrainer



# CLE450



# CLE500





Specifications	CLE450-T	CLE450
Console Screen	10.1"Touchscreen	LED
Resistance Level	1-20	1-20
Staircase Dimension	450*280*180mm	450*280*180mm
Initial Stair Height	300mm	300mm
Effective Utilization Staircase	3	3
Self-compiled Programs	1	1
Preset Programs	6	6
Power Requirements	AC 100V ~ 240V 50/60Hz	AC 100V ~ 240V 50/60Hz
Assembled Dimension	1660*845*2145mm	1660*845*2145mm
Net Weight/Gross Weight	132/216KG	132/216KG
Max User Weight	150KG	150KG
<b>Console Function</b>		
USB	•	-
Headphone	•	-
Multiple Cup And Accessory Holders	•	•
Bluetooth Audio Output	•	•
Mobile and Pad Holders	•	•
<b>Console Data Display</b>		
Resistance Level	•	•
Speed	•	•
Rotations Per Minute	•	•
Average Speed	•	•
Calories	•	•
Heart Rate	•	•
Distance	•	•
Time	•	•
Frequency	•	•
Power Ration	•	•
Remaining Time	•	•
Elapsed Time	•	•
Total Progress Time	•	•
Preset Programs	•	•
Self-compiled Programs	•	•
<b>Function Feature</b>		
Easily Stepped Into	•	•
Patent-Emergency Stop	•	•
Multiple Position Handrails	•	•
Quick Adjustable Handrail	•	•
Transport Wheel	•	•
Infrared Sensor	•	•

Specifications	CLE450-TB	CLE450-B
Console Screen	10.1"Touchscreen	LED
Resistance Level	1-20	1-20
Staircase Dimension	450*300*200mm	450*300*200mm
Initial Stair Height	300mm	300mm
Effective Utilization Staircase	3	3
Self-compiled Programs	1	1
Preset Programs	6	6
Power Requirements	AC 100V ~ 240V 50/60Hz	AC 100V ~ 240V 50/60Hz
Assembled Dimension	1660*845*2145mm	1660*845*2145mm
Net Weight/Gross Weight	132/216KG	132/216KG
Max User Weight	150KG	150KG
<b>Console Function</b>		
USB	•	-
Headphone	•	-
Multiple Cup And Accessory Holders	•	•
Bluetooth Audio Output	•	•
Mobile and Pad Holders	•	•
<b>Console Data Display</b>		
Resistance Level	•	•
Speed	•	•
Rotations Per Minute	•	•
Average Speed	•	•
Calories	•	•
Heart Rate	•	•
Distance	•	•
Time	•	•
Frequency	•	•
Power Ration	•	•
Remaining Time	•	•
Elapsed Time	•	•
Total Progress Time	•	•
Preset Programs	•	•
Self-compiled Programs	•	•
<b>Function Feature</b>		
Easily Stepped Into	•	•
Patent-Emergency Stop	•	•
Multiple Position Handrails	•	•
Quick Adjustable Handrail	•	•
Transport Wheel	•	•
Infrared Sensor	•	•



Specifications	CLE500-T	CLE500
Console Screen	10.1"Touchscreen	LED
Resistance Level	1-20	1-20
Staircase Dimension	500*300*200mm	500*300*200mm
Initial Stair Height	335mm	335mm
Effective Utilization Staircase	3	3
Self-compiled Programs	1	1
Preset Programs	6	6
Power Requirements	AC 100V ~ 240V 50/60Hz	AC 100V ~ 240V 50/60Hz
Assembled Dimension	1895*845*2302mm	1895*845*2302mm
Net Weight/Gross Weight	142/226KG	142/226KG
Max User Weight	150KG	150KG
<b>Console Function</b>		
USB	•	-
Headphone	•	-
Multiple Cup And Accessory Holders	•	•
Bluetooth Audio Output	•	•
Mobile and Pad Holders	•	•
<b>Console Data Display</b>		
Resistance Level	•	•
Speed	•	•
Rotations Per Minute	•	•
Average Speed	•	•
Calories	•	•
Heart Rate	•	•
Distance	•	•
Time	•	•
Frequency	•	•
Power Ration	•	•
Remaining Time	•	•
Elapsed Time	•	•
Total Progress Time	•	•
Preset Programs	•	•
Self-compiled Programs	•	•
<b>Function Feature</b>		
Easily Stepped Into	•	•
Patent-Emergency Stop	•	•
Multiple Position Handrails	•	•
Quick Adjustable Handrail	•	•
Transport Wheel	•	•
Infrared Sensor	•	•

Specifications	CLE500-TB	CLE500-B
Console Screen	10.1"Touchscreen	LED
Resistance Level	1-20	1-20
Staircase Dimension	500*300*200mm	500*300*200mm
Initial Stair Height	335mm	335mm
Effective Utilization Staircase	3	3
Self-compiled Programs	1	1
Preset Programs	6	6
Power Requirements	AC 100V ~ 240V 50/60Hz	AC 100V ~ 240V 50/60Hz
Assembled Dimension	1895*845*2302mm	1895*845*2302mm
Net Weight/Gross Weight	142/226KG	142/226KG
Max User Weight	150KG	150KG
<b>Console Function</b>		
USB	•	-
Headphone	•	-
Multiple Cup And Accessory Holders	•	•
Bluetooth Audio Output	•	•
Mobile and Pad Holders	•	•
<b>Console Data Display</b>		
Resistance Level	•	•
Speed	•	•
Rotations Per Minute	•	•
Average Speed	•	•
Calories	•	•
Heart Rate	•	•
Distance	•	•
Time	•	•
Frequency	•	•
Power Ration	•	•
Remaining Time	•	•
Elapsed Time	•	•
Total Progress Time	•	•
Preset Programs	•	•
Self-compiled Programs	•	•
<b>Function Feature</b>		
Easily Stepped Into	•	•
Patent-Emergency Stop	•	•
Multiple Position Handrails	•	•
Quick Adjustable Handrail	•	•
Transport Wheel	•	•
Infrared Sensor	•	•



# TREADMILL



# COMMERCIAL TREADMILL

Challenge your limits, unleash your passion! Introducing our brand-new gym treadmill, where running is not just exercise, but a perfect fusion of mind and body.

Traverse through time and feel the thrill of lightning-speed running, turning every step into the beginning of a breakthrough!

## FEATURES

- 580\*1600mm running surface
- 3.0KW Power
- 0-15% incline
- 1-24KM/H Speed
- 150 kg. max weight capacity
- CE Certified

## Optional Consoles





Specifications	CME580-T	CME580
Console Screen	10.1"Touchscreen	LED
Motor Power	3.0KW	3.0KW
Speed	1-24KM/H	1-24KM/H
Incline	0-15%	0-15%
Running Surface	580*1600mm	580*1600mm
Assembled Dimension	2096*820*1630mm	2096*820*1630mm
Self-compiled programs	3	3
Preset Programs	6	6
Power Requirements	AC 220V/110V	AC 220V/110V
Net Weight/Gross Weight	205/303KG	205/303KG
Max User Weight	150KG	150KG
<b>Console Function</b>		
USB	•	-
Headphone	•	-
Multiple Cup And Accessory Holders	•	•
Bluetooth Audio Output	•	-
<b>Console Data Display</b>		
Speed	•	•
Incline	•	•
Quick Incline Speed	•	•
Quick Incline	•	•
Calories	•	•
Heart Rate	•	•
Distance	•	•
Time	•	•
Frequency	•	•
Power Ration	•	•
Remaining Time	•	•
Elapsed Time	•	•
Total Progress Time	•	•
Rotations Per Minute	•	•
Average Speed	•	•
METS	•	•
Preset Program	•	•
Self-compiled	•	•



Specifications	CME580-TB	CME580-B
Console Screen	10.1"Touchscreen	LED
Motor Power	3.0KW	3.0KW
Speed	1-24KM/H	1-24KM/H
Incline	0-15%	0-15%
Running Surface	580*1600mm	580*1600mm
Assembled Dimension	2096*820*1630mm	2096*820*1630mm
Self-compiled programs	3	3
Preset Programs	6	6
Power Requirements	AC 220V/110V	AC 220V/110V
Net Weight/Gross Weight	205/303KG	205/303KG
Max User Weight	150KG	150KG
<b>Console Function</b>		
USB	•	-
Headphone	•	-
Multiple Cup And Accessory Holders	•	•
Bluetooth Audio Output	•	-
<b>Console Data Display</b>		
Speed	•	•
Incline	•	•
Quick Incline Speed	•	•
Quick Incline	•	•
Calories	•	•
Heart Rate	•	•
Distance	•	•
Time	•	•
Frequency	•	•
Power Ration	•	•
Remaining Time	•	•
Elapsed Time	•	•
Total Progress Time	•	•
Rotations Per Minute	•	•
Average Speed	•	•
METS	•	•
Preset Program	•	•
Self-compiled	•	•



# ELLIP TICAL

# COMMERCIAL ELLIPTICAL

The new elliptical machine boasts advanced technology and impeccable craftsmanship, providing you with a comfortable fitness environment.

The intelligent control system allows you to adjust resistance at any time, and personalized workout modes cater to diverse needs, making fitness smarter and more convenient.

---

## FEATURES

- 540mm stride length
- 255mm Pedal centre distance
- 150 kg Max weight capacity
- 6 Pre-programmes
- CE Certified

### Optional Consoles



# COMMERCIAL ADJUSTMENT ELLIPTICAL

Featuring a user-friendly interface and ergonomic design, our elliptical machine provides a smooth and natural motion that minimizes impact on your joints, making it perfect for users of all ages and fitness levels. Say goodbye to monotony and hello to variety with adjustable incline settings, offering endless possibilities for targeting different muscle groups and intensifying your workouts.

## FEATURES

- 540mm stride length
- 255mm Pedal centre distance
- 150 kg Max weight capacity
- 6 Pre-programmes
- Smart incline Adjustment
- EMS driving system
- CE Certified

### Optional Consoles





Specifications	CTE60-AT	CTE60-A
Console Screen	10.1"Touchscreen	LED
Resistance Level	1-25	1-25
Stride Length	540mm	540mm
Pedal Center Distance	255mm	255mm
Self-compiled Programs	1	1
Preset Programs	6	6
Power Requirements	AC 100V ~ 240V 50/60Hz	AC 100V ~ 240V 50/60Hz
Assembled Dimension	2165*840*1730mm	2165*840*1730mm
Net Weight/Gross Weight	186/303KG	186/303KG
Max User Weight	150KG	150KG
<b>Console Function</b>		
USB	•	-
Headphone	•	-
Multiple Cup And Accessory Holders	•	•
Bluetooth Audio Output	•	-
Mobile and Pad Holders	•	•
<b>Console Data Display</b>		
Resistance Level Speed	•	•
Adjustment Incline	•	•
Rotations Per Minute	•	•
Average Speed	•	•
Calories	•	•
Heart Rate	•	•
Distance	•	•
Time	•	•
Frequency	•	•
Power Ration	•	•
Remaining Time	•	•
Elapsed Time	•	•
Total Progress Time	•	•
Preset Programs	•	•
<b>Self-compiled programs</b>		
Function Feature	•	•
Multiple Position Handrails	•	•
Transport Wheel	•	•



Specifications	CTE60-T	CTE60
Console Screen	10.1"Touchscreen	LED
Resistance Level	1-25	1-25
Stride Length	540mm	540mm
Pedal Center Distance	255mm	255mm
Self-compiled Programs	1	1
Preset Programs	6	6
Power Requirements	AC 100V ~ 240V 50/60Hz	AC 100V ~ 240V 50/60Hz
Assembled Dimension	2165*840*1730mm	2165*840*1730mm
Net Weight/Gross Weight	186/303KG	186/303KG
Max User Weight	150KG	150KG
<b>Console Function</b>		
USB	•	-
Headphone	•	-
Multiple Cup And Accessory Holders	•	•
Bluetooth Audio Output	•	-
Mobile and Pad Holders	•	•
<b>Console Data Display</b>		
Resistance Level Speed	•	•
Rotations Per Minute	•	•
Average Speed	•	•
Calories	•	•
Heart Rate	•	•
Distance	•	•
Time	•	•
Frequency	•	•
Power Ration	•	•
Remaining Time	•	•
Elapsed Time	•	•
Total Progress Time	•	•
Preset Programs	•	•
Self-compiled programs	•	•
<b>Function Feature</b>		
Multiple Position Handrails	•	•
Transport Wheel	•	•

# TRAINING BIKE



# COMMERCIAL TRAINING BIKE

Embrace the future of fitness, challenge your limits, and experience it all with our new powerful performance Bike!

Fitness is no longer about mundane and monotonous routines; it's an adventure filled with passion and challenges. The training bike opens the door to a healthier and more vibrant lifestyle. Let's revolutionize the traditional and welcome a new era of fitness together!

---

## FEATURES

- Suitable for users 150-200cm tall
- 150 kg Max weight capacity
- Synchronous belt + multiribbed belt 2-stage drive
- Self-generation
- CE Certified

### Optional Console



# UPRIGHT BIKE



# COMMERCIAL UPRIGHT BIKE

Engineered with cutting-edge technology and designed for maximum comfort and effectiveness, this revolutionary upright bike is set to redefine the way you experience your workouts.

Experience the thrill of a high-intensity cardio session from the comfort of your own home gym or living room. With its sleek and modern design, This Upright Bike seamlessly integrates into any space, providing a premium fitness experience without sacrificing style or functionality.

## FEATURES

- Suitable for users 150-200cm tall
- 150 kg Max weight capacity
- Synchronous belt + multiribbed belt 2-stage drive
- Self-generation
- CE Certified

### Optional Console





Specifications	CBD50-T	CBD50
Console Screen	5"LCD	-
Resistance Level	1-16	1-16
Assembled Dimension	1480×570×1390mm	1480×570×1390mm
Net Weight/Gross Weight	71/90KG	71/90KG
Max User Weight	150KG	150KG
Console Data Display		
Resistance Level	•	-
Speed	•	-
Rotations Per Minute	•	-
Average Speed	•	-
Calories	•	-
Distance	•	-
Time	•	-
Frequency	•	-
Remaining Time	•	-
Elapsed Time	•	-
Total Progress Time	•	-
Function Feature		
Multiple Position Handrails	•	•
Multiple Cup And Accessory Holders	•	•
Adjustable Pedal	•	•
Adjustable Seat	•	•
Transport Wheel	•	•
Self-generation	•	-



Specifications	CBE50-T	CBE50
Console Screen	10.1"TFT	LED
Resistance Level	1-30	1-30
Assembled Dimension	1310×560×1520mm	1310×560×1520mm
Net Weight/Gross Weight	71/90KG	71/90KG
Max User Weight	150KG	150KG
Console Data Display		
Resistance Level	•	-
Speed	•	-
Rotations Per Minute	•	-
Average Speed	•	-
Calories	•	-
Distance	•	-
Time	•	-
Frequency	•	-
Remaining Time	•	-
Elapsed Time	•	-
Total Progress Time	•	-
Function Feature		
Multiple Position Handrails	•	•
Multiple Cup And Accessory Holders	•	•
Adjustable Pedal	•	•
Adjustable Seat	•	•
Transport Wheel	•	•
Self-generation	•	-

# RECUMBENT BIKE

# COMMERCIAL RECUMBENT BIKE

Whether you're aiming to improve cardiovascular health, burn calories, or enhance lower body strength, our recumbent bike delivers results with every pedal stroke. Equipped with adjustable resistance levels, it caters to your individual fitness needs, allowing you to progress at your own pace.



Specifications	CBE50W-T	CBE50W
Console Screen	10.1" TFT	LED
Resistance Level	1-30	1-30
Assembled Dimension	1650x595x1440mm	1650x595x1440mm
Net Weight/Gross Weight	85/105KG	85/105KG
Max User Weight	150KG	150KG
<b>Console Data Display</b>		
Resistance Level	•	-
Speed	•	-
Rotations Per Minute	•	-
Average Speed	•	-
Calories	•	-
Distance	•	-
Time	•	-
Frequency	•	-
Remaining Time	•	-
Elapsed Time	•	-
Total Progress Time	•	-
<b>Function Feature</b>		
Multiple Position Handrails	•	•
Multiple Cup And Accessory Holders	•	•
Adjustable Pedal	•	•
Adjustable Seat	•	•
Transport Wheel	•	•
Self-generation	•	-

## Optional Console



# CMC580-T



# CMC580

Specifications	CMC580-T	CMC580
Console Screen	21.5" Touchscreen	0.56" Led+8*8 Dot Matrix
Motor Power	3.0KW	3.0KW
Speed	1-24KM/H	1-24KM/H
Incline	0-15%	0-15%
Running Surface	580*1600mm	580*1600mm
Assembled Dimension	2220*910*1600mm	2220*910*1600mm
Self-compiled programs	3	3
Preset Programs	6	6
Power Requirements	AC 220V/110V	AC 220V/110V
Net Weight/Gross Weight	240KG	240KG
Max User Weight	150KG	150KG
<b>Console Function</b>		
USB	•	◦
Headphone	•	-
Fan	•	•
Multiple Cup And Accessory Holders	•	•
Bluetooth Audio Output	•	-
<b>Console Data Display</b>		
Speed	•	•
Incline	•	•
Speed Shortcut Key	•	•
Slope Shortcut Key	•	•
Calories	•	•
Heart Rate	•	•
Distance	•	•
Time	•	•
Frequency	•	•
Power Ration	•	•
Remaining Time	•	•
Elapsed Time	•	•
Total Progress Time	•	•
Rotations Per Minute	•	•
Average Speed	•	•
METS	•	•
Preset Program	•	•
Self-compiled	•	•

# CTC60-T



# CTC60



Specifications	CTC60-T	CTC60
Console Screen	10.1" Touchscreen	0.56" Led+8*8 Dot Matrix
Resistance Level	1-25	1-25
Stride Grade	1-10	1-10
Step Depth Grade	1-15	1-15
Stride Adjustment Length	481-637mm	481-637mm
Step Depth Adjustment Length	435-561mm	435-561mm
Pedal Center Distance	230mm	230mm
Self-compiled Programs	1	1
Preset Programs	6	6
Power Requirements	AC 100V ~ 240V 50/60Hz	AC 100V ~ 240V 50/60Hz
Assembled Dimension	2120*790*1680mm	2120*790*1680mm
Net Weight/Gross Weight	225/310KG	225/310KG
Max User Weight	150KG	150KG
<b>Console Function</b>		
USB	•	○
Headphone	•	-
Fan	•	•
Multiple Cup And Accessory Holders	•	•
Bluetooth Audio Output	•	-
Mobile and Pad Holders	•	•
<b>Console Data Display</b>		
Resistance Level	•	•
Stride Adjustment	•	•
Step Depth Adjustment	•	•
Speed	•	•
Rotations Per Minute	•	•
Average Speed	•	•
Calories	•	•
Heart Rate	•	•
Distance	•	•
Time	•	•
Frequency	•	•
Power Ration	•	•
Remaining Time	•	•
Elapsed Time	•	•
Total Progress Time	•	•
Preset Programs	•	•
Self-compiled programs	•	•
<b>Function Feature</b>		
Smart Stride Adjustment	•	•
Smart Step Depth Adjustment	•	•
Multiple Position Handrails	•	•
Quick Adjustable Handrail	•	•
Transport Wheel	•	•





CLC550-CT



# CLC550-CT



# CLE550-C

Specifications	CLC550-CT	CLE550-C
Console Screen	10.1" Touchscreen	0.56" Led+8*8 Dot Matrix
Resistance Level	1-20	1-20
Staircase Dimension	550*278*205mm	550*278*205mm
Initial Stair Height	300mm	300mm
Effective Utilization Staircase	3	3
Self-compiled Programs	1	1
Preset Programs	6	6
Power Requirements	AC 100V ~ 240V 50/60Hz	AC 100V ~ 240V 50/60Hz
Assembled Dimension	1600*970*2230mm	1600*970*2230mm
Net Weight/Gross Weight	226/310KG	226/310KG
Max User Weight	150KG	150KG
<b>Console Function</b>		
USB	•	○
Headphone	•	-
Fan	•	•
Multiple Cup And Accessory Holders	•	•
Bluetooth Audio Output	•	•
Mobile and Pad Holders	•	-
Console Data Display	•	•
<b>Resistance Level</b>		
Speed	•	•
Rotations Per Minute	•	•
Average Speed	•	•
Calories	•	•
Heart Rate	•	•
Distance	•	•
Time	•	•
Frequency	•	•
Power Ration	•	•
Remaining Time	•	•
Elapsed Time	•	•
Total Progress Time	•	•
Preset Programs	•	•
Self-compiled Programs	•	•
Function Feature	•	•
<b>Safety Side Step</b>		
Easily Stepped Into	•	•
Patent-Emergency Stop	•	•
Multiple Position Handrails	•	•
Quick Adjustable Handrail	•	•
Transport Wheel	•	•

# CBL60-T



# CBL60



Specifications	CBL60-T	CBL60
Console Screen	10.1" Touchscreen	0.56" Led+8*8 Dot Matrix
Resistance Level	1-25	1-25
Self-complied Programs	1	1
Preset Programs	6	6
Power Requirements	AC 100V ~ 240V 50/60Hz	AC 100V ~ 240V 50/60Hz
Assembled Dimension	1200×500×1450mm	1200×500×1450mm
Net Weight/Gross Weight	75/95KG	75/95KG
Max User Weight	150KG	150KG
<b>Console Function</b>		
USB	•	◦
Headphone	•	-
Fan	•	•
Multiple Cup And Accessory Holders	•	•
Bluetooth Audio Output	•	-
Mobile and Pad Holders	•	•
<b>Console Data Display</b>		
Resistance Level	•	•
Speed	•	•
Rotations Per Minute	•	•
Average Speed	•	•
Calories	•	•
Heart Rate	•	•
Distance	•	•
Time	•	•
Frequency	•	•
Power Ration	•	•
Remaining Time	•	•
Elapsed Time	•	•
Total Progress Time	•	•
Preset Programs	•	•
Self-complied Programs	•	•
<b>Function Feature</b>		
Multiple Position Handrails	•	•
Quick Adjustable Handrail	•	•
Adjustable Pedal	•	•
Adjustable Seat	•	•
Transport Wheel	•	•

# PISTON-E





### Chest Press

PE101

Standard Weight Stack: 96 kg / 212 lbs  
 Optional Weight Stack: 123 kg / 271 lbs  
 Assembled Dimension: 122.5X147.7X179.6cm  
 Net Weight: 165 kg



### Shoulder Press

PE102

Standard Weight Stack: 96 kg/212 lbs  
 Assembled Dimension: 162.4X159.2X159.6 cm  
 Net Weight: 170 kg



### Pulldown

PE104

Standard Weight Stack: 96 kg/212 lbs  
 Optional Weight Stack: 123 kg/271lbs  
 Assembled Dimension: 166.8X125.4X193 cm  
 Net Weight: 162 kg



### Dip/Chin Assistant

PE105

Standard Weight Stack: 141 kg/311 lbs  
 Assembled Dimension: 158.8X131.6X251.6 cm  
 Net Weight: 140 kg



### Arm Curl

PE108

Standard Weight Stack: 96 kg/212 lbs  
 Optional Weight Stack: 123 kg/271 lbs  
 Assembled Dimension: 151X144X160 cm  
 Net Weight: 153 kg



### Converging Chest Press

PE109

Standard Weight Stack: 96 kg/212 lbs  
 Optional Weight Stack: 123 kg/271 lbs  
 Assembled Dimension: 140X130X160 cm  
 Net Weight: 158 kg



### Triceps Press

PE110

Standard Weight Stack: 66 kg/146 lbs  
 Optional Weight Stack: 84 kg/185 lbs  
 Assembled Dimension: 177.5X115.7X160 cm  
 Net Weight: 164 kg



### Pec Fly/Rear Delt

PE111

Standard Weight Stack: 96 kg/212 lbs  
 Optional Weight Stack: 123 kg/271lbs  
 Assembled Dimension: 137.9x115.7x190.6 cm  
 Net Weight: 148 kg



### Seated Row

PE107

Standard Weight Stack: 96 kg/212 lbs  
 Optional Weight Stack: 123 kg/271 lbs  
 Assembled Dimension: 193X111.5X160 cm  
 Net Weight: 155 kg



### Leg Extension

PE201

Standard Weight Stack: 96 kg/212 lbs  
 Optional Weight Stack: 123 kg/271 lbs  
 Assembled Dimension: 125.2x129.5x159.6 cm  
 Net Weight: 160 kg



### Prone Leg Curl

PE203

Standard Weight Stack: 66 kg/146 lbs  
 Optional Weight Stack: 84 kg/185 lbs  
 Assembled Dimension: 173.8x113.6x159.6 cm  
 Net Weight: 160 kg



### Hip Abduction

PE205

Standard Weight Stack: 66 kg/146 lbs  
 Optional Weight Stack: 84 kg/185 lbs  
 Assembled Dimension: 160X74X159.7 cm  
 Net Weight: 135 kg



### Lateral Raise

PE113

Standard Weight Stack: 66 kg/146 lbs  
 Optional Weight Stack: 84 kg/185 lbs  
 Assembled Dimension: 113.3x126.6x159.6 cm  
 Net Weight: 140 kg



### Glute Extension

PE209

Standard Weight Stack: 96 kg/212 lbs  
 Optional Weight Stack: 123 kg/271 lbs  
 Assembled Dimension: 133X126.5X160 cm  
 Net Weight: 140 kg



### Hip Adduction

PE210

Standard Weight Stack: 66 kg/146 lbs  
 Optional Weight Stack: 84 kg/185 lbs  
 Assembled Dimension: 157.6X72X159.6 cm  
 Net Weight: 138 kg



### Abdominal

PE301

Standard Weight Stack: 96 kg/212 lbs  
 Optional Weight Stack: 123 kg/271 lbs  
 Assembled Dimension: 141.5X102.3X160 cm  
 Net Weight: 130 kg



### Seated Leg Press

PE207

Standard Weight Stack: 123 kg/271 lbs  
Assembled Dimension: 170X118X160 cm  
Net Weight: 203 kg



### Standing Calf

PE208

Standard Weight Stack: 114 kg/251 lbs  
Optional Weight Stack: 141kg/311 lbs  
Assembled Dimension: 140X128X161 cm  
Net Weight: 165 kg



### Torso Rotation

PE303

Standard Weight Stack: 96 kg/212 lbs  
Optional Weight Stack: 123 kg/271 lbs  
Assembled Dimension: 131X73X160 cm  
Net Weight: 142 kg



### Cable Cross

PE402

Standard Weight Stack: 2\*96 kg/2\*212 lbs  
 Optional Weight Stack: 2\*123 kg/2\*271 lbs  
 Assembled Dimension: 172X100X219 cm  
 Net Weight: 190 kg

### 4-Stack

PE404

Standard Weight Stack: 4\*96 kg/4\*212 lbs  
 Optional Weight Stack: 4\*123 kg/4\*271 lbs  
 Assembled Dimension: 330x211x234.5 cm  
 Net Weight: 337 kg



### Sover Machine

PE403

Standard Weight Stack: 2\*96 kg/2\*212 lbs  
 Optional Weight Stack: 2\*123 kg/2\*271 lbs  
 Assembled Dimension: 420.6x72x237 cm  
 Net Weight: 250 kg



### 6-Stack

PE406

Standard Weight Stack: 5\*96 kg/5\*212 lbs  
 Optional Weight Stack: 5\*123 kg/5\*271 lbs  
 Assembled Dimension: 520x330x237 cm  
 Net Weight: 477 kg

### 9-Stack

PE409

Standard Weight Stack: 8\*96 kg/8\*212 lbs  
 Optional Weight Stack: 8\*123 kg/8\*271 lbs  
 Assembled Dimension: 618X330X237 cm  
 Net Weight: 704 kg



# PISTON-S





### Multi Press (Chest/Shoulder)

PS01

Standard Weight Stack: 96 kg/212 lbs  
Optional Weight Stack: 123 kg/271 lbs  
Assembled Dimension: 177.9X151X159.6 cm  
Net Weight: 168 kg



### Pulldown/ Seated Row

PS02

Standard Weight Stack: 96 kg/212 lbs  
Optional Weight Stack: 123 kg/271 lbs  
Assembled Dimension: 173X156.5X230.2 cm  
Net Weight: 157 kg



### Bicep Curl/ Tricep Extension

PS03

Standard Weight Stack: 66 kg/146 lbs  
Optional Weight Stack: 84 kg/185 lbs  
Assembled Dimension: 119.5X120X159.6 cm  
Net Weight: 133 kg



### Leg Extension/ Leg Curl

PS04

Standard Weight Stack: 96 kg/212 lbs  
Optional Weight Stack: 123 kg/271 lbs  
Assembled Dimension: 146X122.4X159.6 cm  
Net Weight: 160 kg



### Inner/Outer

PS05

Standard Weight Stack: 66 kg/146 lbs  
Optional Weight Stack: 84 kg/185 lbs  
Assembled Dimension: 157.7X162.8X159.6 cm  
Net Weight: 155 kg



### Abdominal/ Back Extension

PS06

Standard Weight Stack: 66 kg/146 lbs  
Optional Weight Stack: 84 kg/185 lbs  
Assembled Dimension: 127.5X130X159.6 cm  
Net Weight: 143 kg



**TITAN**



### Chest Press

T01

Assembled Dimension: 153.1×215.8×179.2 cm  
Net Weight: 185 kg



### Pulldown

T02

Assembled Dimension: 178×156.1×189.2 cm  
Net Weight: 178 kg



### Shoulder Press

T03

Assembled Dimension: 135.3×191.4×114.2 cm  
Net Weight: 165 kg



### Seated Row

T04

Assembled Dimension: 155.2×147×122.8 cm  
Net Weight: 146 kg



### Leg Extension

T05

Assembled Dimension: 163.7×141.6×110.9 cm  
Net Weight: 122 kg



### Seated Calf Raise

T06

Assembled Dimension: 143.3×75.9×113.2 cm  
Net Weight: 70 kg



**PISTON-E**  
BENCH SERIES



**Olympic Flat Bench**

PEB101

Assembled Dimension: 188x155x130 cm

Net Weight: 80 kg



**Olympic Incline Bench**

PEB102

Assembled Dimension: 196x190x148 cm

Net Weight: 103 kg



**Olympic Decline Bench**

PEB103

Assembled Dimension: 196.2x190x128.8 cm

Net Weight: 95 kg



**Multi-Adjustable Bench**

PEB104

Assembled Dimension: 153.8x67x126.5 cm

Net Weight: 40 kg



**Abdominal Bench**

PEB106

Assembled Dimension: 154x68x100 cm

Net Weight: 50 kg



**Back Extension**

PEB107

Assembled Dimension: 138x75.5x88.5 cm

Net Weight: 60 kg



**Dip station**

PEB108

Assembled Dimension: 127x124x235 cm

Net Weight: 110 kg



**Scott**

PEB109

Assembled Dimension: 125.7x85x94.8 cm

Net Weight: 48 kg



**Flat Bench**

PEB110

Assembled Dimension: 125.6x67x43 cm

Net Weight: 24kg



**Dumbbell Rack 2 Tier-6**

PEB111-6

Assembled Dimension: 152.5x53.9x71.2 cm

Net Weight: 57 kg



**Dumbbell Rack 3 Tier-6**

PEB112-6

Assembled Dimension: 152.5x62.2x93.2 cm

Net Weight: 68 kg

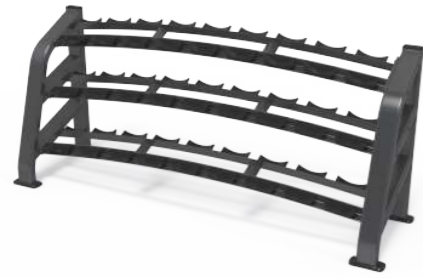


**Dumbbell Rack 2 Tier-9**

PEB111-9

Assembled Dimension: 212x51.1x71.2cm

Net Weight: 76 kg



### Dumbbell Rack 3 Tier-9

PEB112-9

Assembled Dimension: 212x59.4x93.2 cm

Net Weight: 94 kg



### Utility Bench

PEB116

Assembled Dimension: 93.8x67x106 cm

Net Weight: 24 kg



### Portal Frame

PEB117

Assembled Dimension: 220.4x156x233.5 cm

Net Weight: 275 kg



### Plate Rack

PEB118

Assembled Dimension: 83x67x114 cm

Net Weight: 28 kg



### Small Bar Rack

PEB119

Assembled Dimension: 100x92.3x163.5 cm

Net Weight: 60 kg



### Kettle Bell Rack- 2 Tier

PEB121

Assembled Dimension: 161x55x72 cm

Net Weight: 60 kg



### Bar Rack

PEB124

Assembled Dimension: 86x48x24 cm

Net Weight: 24 kg



### Smith Machine

PEB201

Assembled Dimension: 217x132x229 cm

Net Weight: 196 kg



### Leg Press Machine

PEB203

Assembled Dimension: 223x166x147 cm

Net Weight: 220 kg



### Plate Loaded Squat

PEB204

Assembled Dimension: 202x166x148 cm

Net Weight: 240 kg



### Small Squat Rack

PEB205

Assembled Dimension: 156x123.5x185.6 cm

Net Weight: 80 kg



### Extension

PEB301

Assembled Dimension: 126x68x119 cm

Net Weight: 50 kg